

DIXIE-NARCO, INC.
SERVICE BULLETIN #102

September 10, 1969

MODEL: All Executive Pre-Mix Venders with Ice-O-Vends having PLASTIC
Ice Hopper Assemblies.

SUBJECT: Addition of parts and adjustments to prevent the nuts from
pulling from the underside of the PLASTIC ice hopper.

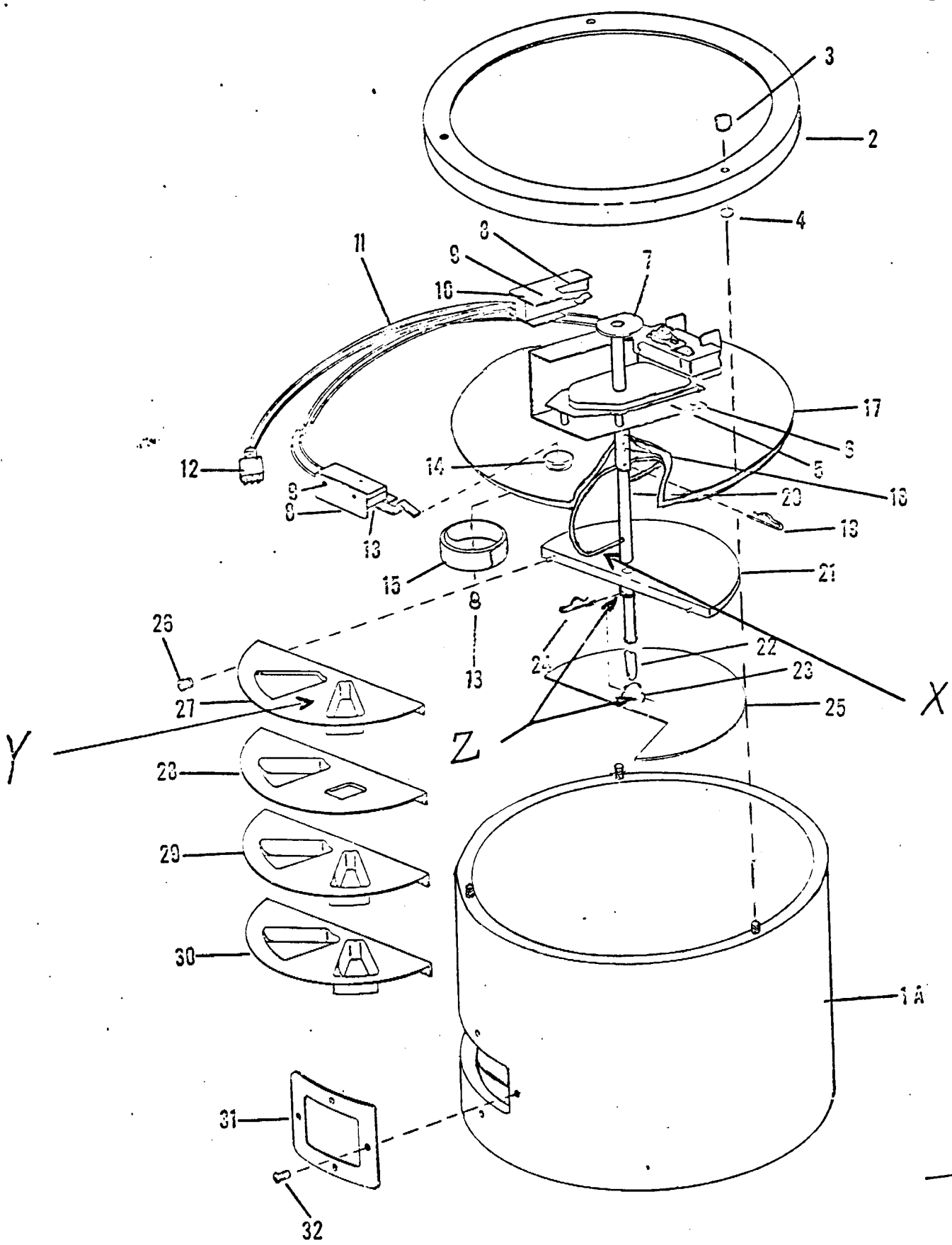
CAUTION: If your Executive Ice Hopper already conforms to
corrections outlined in this Service Bulletin, then
no rework is to be done.

- Do This:
1. Remove ice limit switch (one with long arm).
 2. Using template drawing A3980.05, locate holes for
bracket A120,180,110.13.
 3. Attach bracket A120,180,110.13 with two (2) #8 x 1/2
sheet metal screws (900,600,230.02) to ice hopper lid.
 4. Attach ice limit leaf switch (A804,100,141.41) to switch
bracket with bolts and tinnerman nut provided.
 5. Make sure that switch arm "breaks" the compressor circuit
upon fising 1/4" or less.
 6. Refer to Ice Hopper View attached.
 7. Locate the lower part of auger indicated by X.
 8. The correct position of this lower part of auger is to
extend out over and center on the ice cups. Center
indicated by V.
 9. If auger - ice cup relationship is incorrect,
 - a. Remove pin 24 from two (2) places indicated by Z.
 - b. Rotate ice cup assembly and separator plate assembly
180° and reinstall pin 24, two (2) places.

KIT PARTS PROVIDED

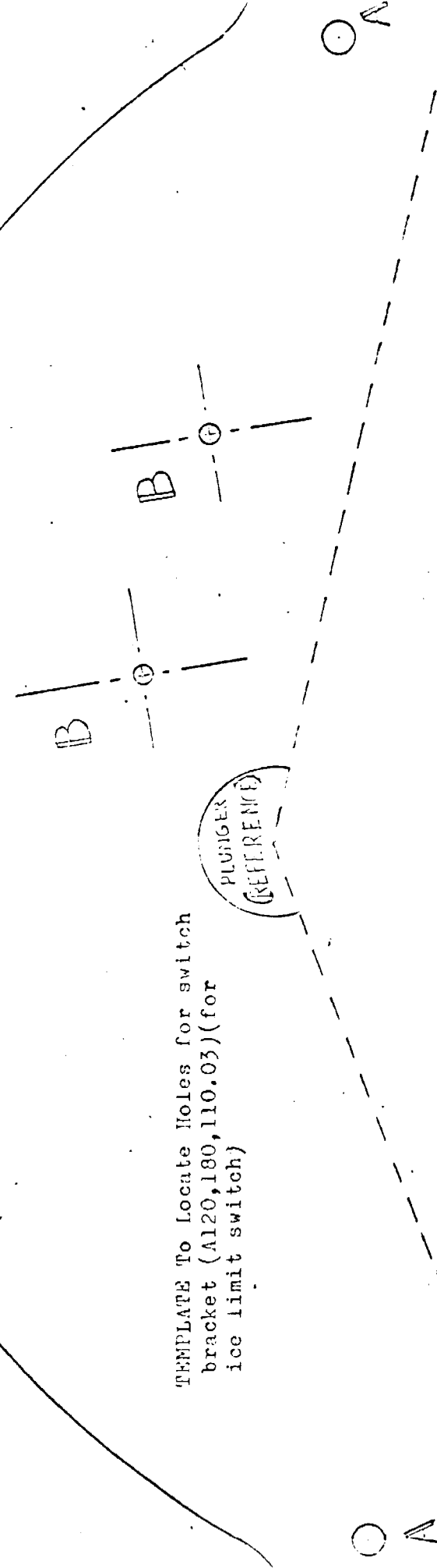
- | | | | |
|----|---------|-----------------|----------------------------------|
| a. | One (1) | A804,100,141.41 | Ice Limit Leaf Switch. |
| b. | Two (2) | 900,901,650.02 | Bolts, #6-32 x 1 |
| c. | One (1) | 900,900,720.01 | Tinnerman Nut, #6-32. |
| d. | One (1) | A120,180,110.13 | Switch Bracket |
| e. | Two (2) | 900,600,230.02 | Sheet Metal Screw #8 x 1/2 |
| f. | One (1) | A3980.05 | Template & Instructions. |
| g. | One (1) | 93 | Ice Dispense Hopper Instructions |
| h. | Two (2) | 900,700,320.01 | Lockwasher |
| i. | Two (2) | 900,700,330.01 | Lockwasher |

Service Department.
Dixie-Narco, Inc.



ICE DISPENSE HOPPER

Reference, outer radius of
hopper lid



TEMPLATE To Locate Holes for switch
bracket (A120,180,110.03)(for
ice limit switch)

PLUNGER
(REFERENCE)

1. CUT OUT TEMPLATE ALONG DOTTED LINE.
2. REMOVE WING NUTS AND PLACE HOLES "A" ON TEMPLATE OVER SCREWS.
3. USE A SCRIBE TO MARK CENTER OF HOLES "B" ON LID.
4. USE 1/8 DRILL BIT TO DRILL HOLES.
5. USE TWO SHEET METAL SCREWS TO ATTACH NEW SWITCH.
6. WIRE NEW SWITCH SAME AS OLD SWITCH.